



CAFCO[®] 400

Spray-Applied Fire Resistive Material

CAFCO[®] 400 is a portland cement based, Spray-Applied Fire Resistive Material (SFRM). It is a medium density wet mix product, designed to provide fire protection for structural steel in commercial and high-rise construction. The durable surface and portland cement based formulation of the product makes it well suited for application in areas which may be subjected to higher levels of abuse and elevated humidity levels. CAFCO 400 offers the best fire resistance performance per unit thickness of any commercial SFRM. This means less material is needed to achieve required fire ratings. With virtually no waste during installation, CAFCO 400 is cost-effective, clean and neat in appearance. CAFCO 400 has been tested for fire endurance by Underwriters Laboratories, Inc. (UL) and Underwriters Laboratories of Canada (ULC) in accordance with ASTM E119 (UL 263, CAN/ULC-S101).

Code Compliances

CAFCO 400 satisfies the requirements of the following building code organizations:

- IBC - International Building Code
- SBCCI - Southern Building Code Congress International
- ICBO - International Conference of Building Officials
- BOCA - Building Officials and Code Administrators International, Inc.
- New York City - MEA

Major Specifications

CAFCO 400 complies with the requirements of the following specifications:

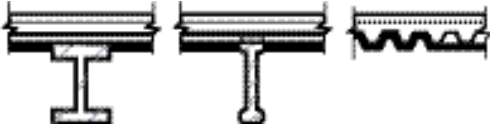
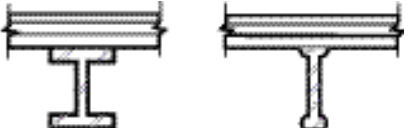

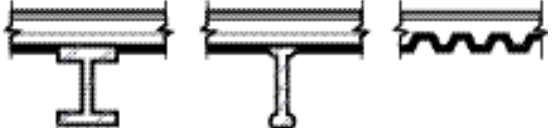
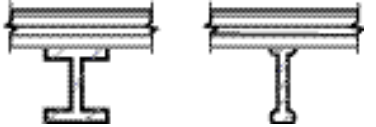
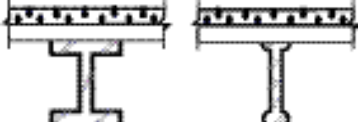
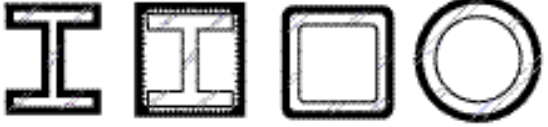
- General Services Administration (GSA): AIA/SC/GSA:07811
- Department of the Navy NAVFACENCOM Guide Specification NFGS 07810, Sprayed-on Fireproofing
- Veterans Administration (VA): H-08-1
- U.S. ARMY Corps of Engineers. CEGS-07811

Physical Performance

Characteristic	ASTM Method	Standard Performance*	Tested Performance**
Surface Burning	E84		Flame: 0 Smoke: 0
Density	E605	22 pcf(352 kg/m ³)	25 pcf (400 kg/m ³)
Cohesion/Adhesion	E736	434 psf(20.8 kPa)	2,850 psf (136.4 kPa)
Deflection	E759	No Cracks or Delaminations	No Cracks or Delaminations
Bond Impact	E760	No Cracks or Delaminations	No Cracks or Delaminations
Compressive Strength	E761	7,344 psf(351 kPa)	12,740 psf (610 kPa)
Air Erosion Resistance	E859	Less than 0.025 g/ft ² (0.27 g/m ²)	0.000 g/ft ² (0.000 g/m ²)
Corrosion Resistance	E937	Does Not Promote Corrosion of Steel	Does Not Promote Corrosion of Steel
Sound Absorption	C423		0.60 NRC 1/2" (13 mm) on deck and beam
Combustibility	E1354	No Flaming or Heat Release	No Flaming or Heat Release

* Standard performance based on General Services Administration AIA/SC/GSA/07811 except for density, which is based on UL. Refer to UL design for density requirement.

** Values represent independent laboratory tests under controlled conditions.

System or Component	Rating (HR)	Designs	Design Details
Floor Assemblies – Protected Deck	1, 1½, 2, 3 1, 1½, 2, 3	D759 G705	
Floor Assemblies – Unprotected Deck	1, 1½, 2, 3	D902	
Beam or Joist Only – Floors	1, 1½, 2, 3, 4 1, 1½, 2, 3	N759 N761	
Roof Assemblies – Protected Deck	1, 1½, 2, 3 1, 1½, 2, 3	P719 P723	
Roof Assemblies – Unprotected Deck	1, 1½, 2 1, 1½, 2	P908 P922	
Beam or Joist Only - Roofs	1, 1½, 2, 3, 4 1, 1½, 2, 3, 4	S721 ** S729	
Columns, W6x9 through W14x730 Pipe and Tube Steel	1, 1½, 2, 3, 4	X790	

Note: In all cases, consult the actual design listing for beam sizes, deck profiles, electrification details, roof insulation types, and other construction details.

* UL is accredited by the Standard Council of Canada (SCC) as a Certification and Testing Organization to Canadian Standards and codes.

** Requires material on underside of deck.

For Further Information

CAFCO® Technical and Sales Representatives are always available to lend assistance. Additional printed materials, including Material Safety Data Sheets, and other product literature, are available upon request. For more information about our CAFCO® line of sprayed fire protection, thermal and acoustical treatments, SprayFilm™ Intumescent Coatings and CAFCO-BOARD™ or for the name of the Sales Representative in your area, please contact:

In the United States: Isolatak International, Stanhope, New Jersey Tel: 800.631.9600 Fax: 973.347.9170

In Mexico & Central America: Cafco Mexico S.A. de C.V., Mexico D.F. Tel: 52.55.5254.6683 Fax: 52.55.5531.7826

In Andean Countries: Cafco Andina S.A., Santiago, Chile Tel: 562.378.5120 Fax: 562.378.5121

In Canada: Cafco Industries, Toronto (Ontario) Tel: 888.873.0003 Fax: 416.679.2933

For more detailed product information, visit our website at:
www.cafco.com or contact us at **cafco@isolatak.com**